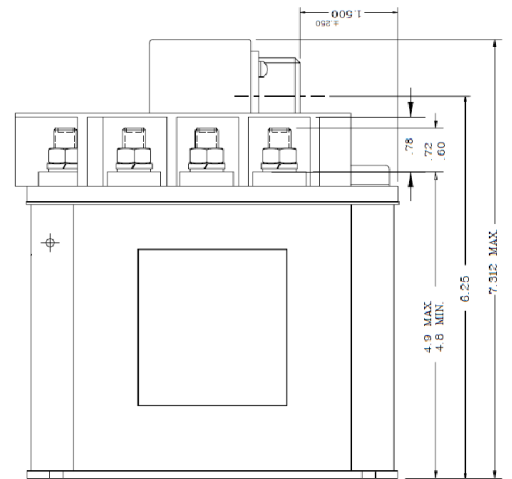
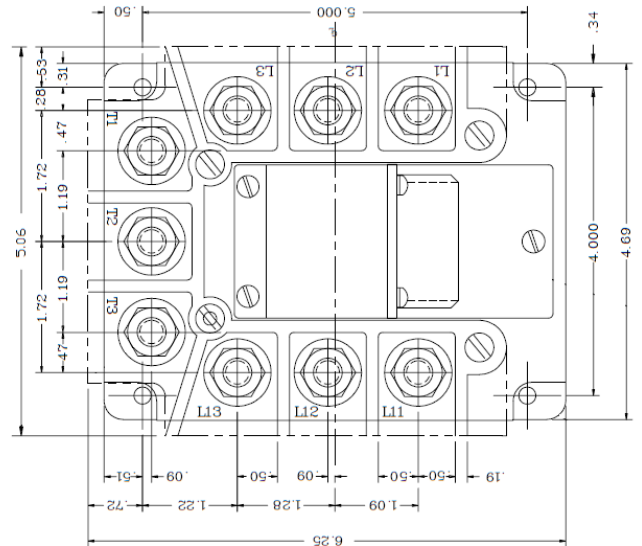
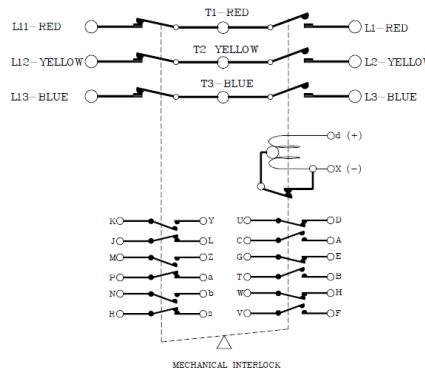


G-1057-459-C, AC Power Contactor, 250 Amps 3PDT Side Stable, NSN: 5945-01-384-4323



Product Overview:

- 3PDT Side Stable. Main Contacts
- 6PST N.O. and 6PST N.C. Auxiliaries
- Rated for 250 Amps, AC
- Qualification to Lockheed spec. 695715 rev. U
- Contact NPAS for specific needs and customizable options.



Performance Specifications

Coil Data		Contact Data						
Nominal Voltage	18 - 30 VDC	Main			Auxiliary			
Pickup	18 VDC max	3PDT Side Stable			6PST NO - 6PST NC			
Dropout	7 - 1 VDC	Life (cycles)	28VDC (amps)	208VAC amps	Life (cycles)	28VDC (amps)	208VAC amps	
Coil Resistance	-	Resistive	50,000	-	250	50,000	6	6
Coil Current	.7a max @ 25°C	Inductive	50,000	-	250	50,000	6	6
Suppression	-	Motor	-	-	-	-	-	-
Duty	Continuous	Lamp	-	-	-	50,000	3	3
Electrical Data		Rupture	-	-	1750	-	-	-
Insulation Resistance	≥100MΩ @ 500VDC min	Mechanical	100,000	-	-	-	-	-
Environmental		Voltage Drop	125mV					
Temperature range	-65°F to +160°F	Contact Resistance	-					
Altitude	-	Timing	-					
Shock	-	Release	-					
Vibration, sinusoidal	-	Transfer	-					
		Bounce	-					
		Mechanical Data	-					
		Weight	6.5 lbs.					
		Specifications IAW	Qualification testing to Lockheed 695715 rev. U					