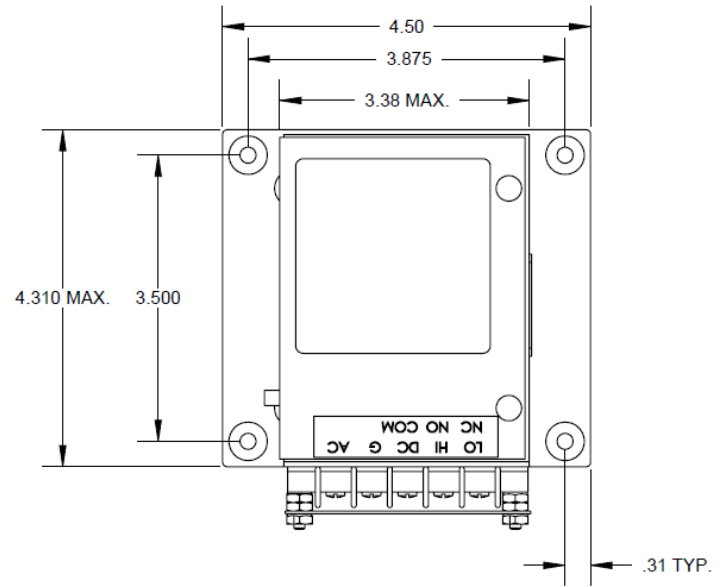
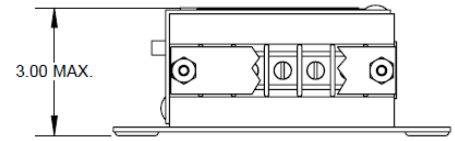
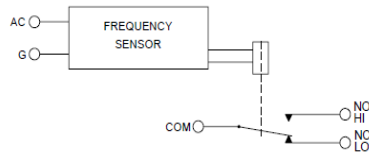


G-1138-384-C, Relay, Under Voltage NSN: 5945-00-628-6484



Product Overview:

- Continuous Duty
- Functional Frequency range 100-1000hz.
- Frequency trip point ranges: 360±5 to 390±5
- Designed to withstand transients up to 300V peak for 40 milliseconds
- Contact NPAS for specific needs and customizable options.



Performance Specifications

Coil Data		Arrangement	Contact Data					
Electrical Data			Main			Auxiliary		
Nominal Voltage	115VAC	SPDT	N/A			N/A		
Pickup	390±5 hz.		Life (cycles)	28VDC (amps)	200VAC (amps)	Life (cycles)	28VDC (amps)	115VAC (amps)
Dropout	360±5 hz.	Resistive	-	-	-	-	-	-
Coil Resistance	-	Inductive	10,000	3	-	-	-	-
Coil Current	-	Motor	-	-	-	-	-	-
Suppression	-	Lamp	-	-	-	-	-	-
Duty	Continuous	Rupture	-	-	-	-	-	-
Environmental		Mechanical	100,000	-	-	-	-	-
Insulation Resistance	≥100MΩ @ 500VDC min	Voltage Drop	100mV					
Dielectric Strength (sea level)	-	Contact Resistance	-					
Contacts to Ground	1050Vrms	Timing	-					
Between contacts	1050Vrms	Release	-					
Coil to Ground	-	Transfer	-					
Temperature range	-54°C to +71°C	Bounce	-					
Altitude	-	Mechanical Data	-					
Shock	-	Weight	15oz					
Vibration, sinusoidal	10-55hz, .060" Excursion	Specifications IAW	Meets materials and workmanship requirements of MIL-DTL-5757					