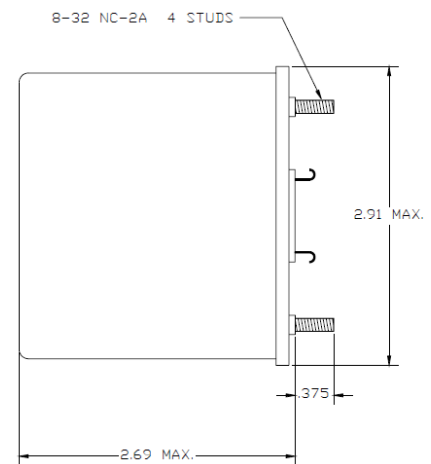
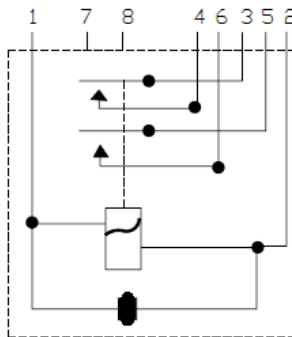
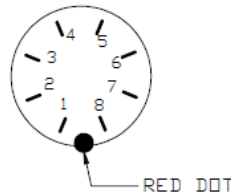
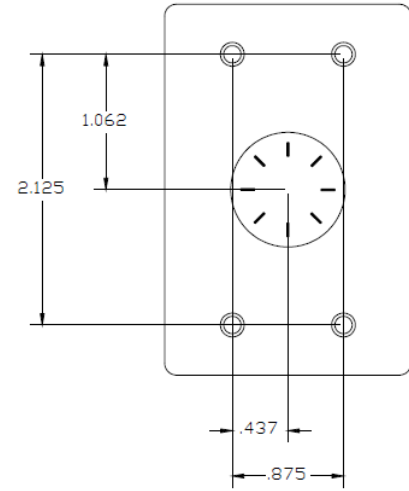


JEH-1871, Relay, Electromagnetic NSN: 5945-00-058-5858



Product Overview:

- Hermetically sealed
- General Purpose Quick Acting
- Bifurcated contacts rated to 3 amps
- 1,000,000 life cycle rating at 1/2 contact load
- Contact NPAS for specific needs and customizable options.

Performance Specifications

Coil Data				Contact Data					
		Main			Auxiliary				
		DPST, N.O.			N/A				
		Life (cycles)	28VDC (amps)	115VAC (amps)	Life (cycles)	28VDC (amps)	115VAC (amps)		
Nominal Voltage	26.5VDC	1,000,000	1.5	1.5	-	-	-		
Pickup	15VDC max	-	-	-	-	-	-		
Dropout	-	-	-	-	-	-	-		
Coil Resistance	-	-	-	-	-	-	-		
Coil Current	-	-	-	-	-	-	-		
Suppression	Varistor controlled	-	-	-	-	-	-		
Duty	Continuous	-	-	-	-	-	-		
Electrical Data		Mechanical							
Insulation Resistance	≥100MΩ @ 500VDC min	Voltage Drop	-						
Dielectric Strength (sea level)	-	Contact Resistance	10mΩ						
Contacts to Ground	500Vrms	Timing	-						
Between contacts	500Vrms	Release	-						
Coil to Ground	500Vrms	Transfer	-						
Environmental		Bounce	-						
Temperature range	+32°F to +125°F	Mechanical Data	-						
Altitude	7,000 ft.	Weight	-						
Shock	-	Specifications IAW	Meets materials and workmanship requirements of MIL-R-5757						
Vibration, sinusoidal	-								